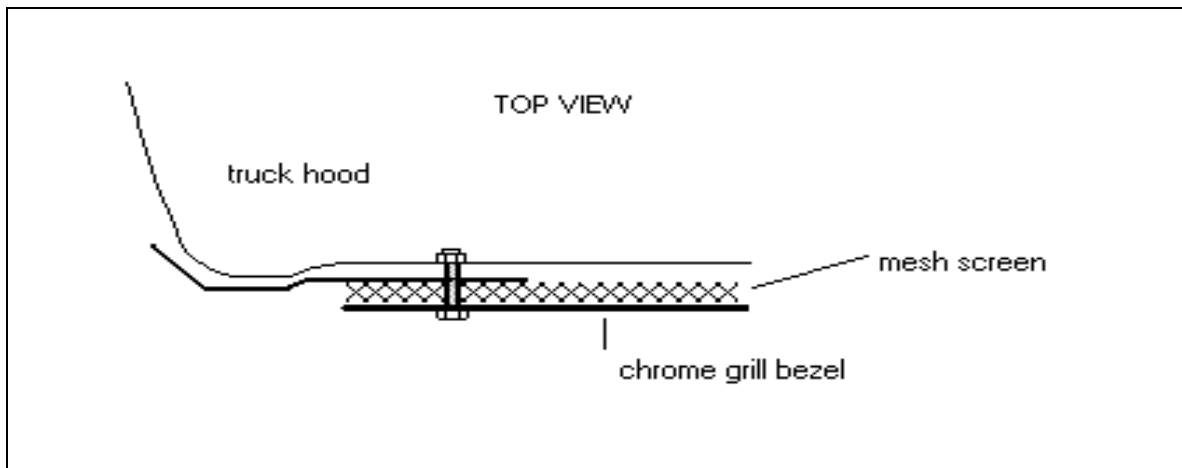


# GRILL DEFLECTOR

## INSTALLATION INSTRUCTIONS

1. Remove Plastic coating inside strip of Grill Deflector.
2. Remove vertical chrome grill bezel strips on sides of grill.



3. Slide the bolted hole flange in behind the mesh screen and chrome grill bezel. The Grill Deflector hole flange should be against paint. (see diagram above)
4. When the Grill Deflector is in proper position, the bolt holes will line up through the chrome bezel, the mesh screen, the Grill Deflector and threaded inserts in hood.
5. Re-insert the bolts, being careful not to over tighten. (This will cause chrome grill bezel strips to deform)
6. Remove the remaining protective plastic coating.